
	DOC NO	MODEL	NAME	REV.	PAGE
	PL-ECDM-200-002	ECDM-200	Product Specification	1.1	1 of 9

# Product Specification

MODEL : ECDM-200  
REV. : 1.1  
DATE : 2007. 01. 25

 **PULOON Technology Inc.**




	<b>DOC NO</b>	<b>MODEL</b>	<b>NAME</b>	<b>REV.</b>	<b>PAGE</b>
	PL-ECDM-200-002	ECDM-200	Product Specification	1.1	2 of 9

## Revision History

Ver.	DATE	Item		Name
		Title	Details	
1.0	2006.04.03	Released		H. H. SO
1.1	2007.01.25	Ch 2.1.11 Added	Max Dispensing Description Added	H. H. SO




	DOC NO	MODEL	NAME	REV.	PAGE
	PL-ECDM-200-002	ECDM-200	Product Specification	1.1	3 of 9

# Contents

<b>1</b>	<b>Preview and Features</b>	<b>4</b>
1.1	Preview	4
1.2	Features	4
<b>2</b>	<b>Specifications</b>	<b>5</b>
2.1	General Specifications	5
2.2	Electrical Features	5
2.3	Operation Environment	5
<b>3</b>	<b>Layout</b>	<b>6</b>
<b>4</b>	<b>Connector Specifications</b>	<b>7</b>
4.1	Power Connector	7
4.2	Communication Connector	7
4.3	Serial Communication Specifications	8
4.4	Dip Switch Assignment	9



	DOC NO	MODEL	NAME	REV.	PAGE
	PL-ECDM-200-002	ECDM-200	Product Specification	1.1	4 of 9

## 1 Preview and Features


### 1.1 Preview

ECDM-200 is the cash-dispensing unit that can be applied to ATM and notes exchanger for retail market. The main function is to dispense the exact number of banknotes in the cassette by a customer's request and to transfer to the customer automatically.

### 1.2 Features

- 1) To separate notes by friction rollers
- 2) To prevent from double dispensing case by mechanical double detect mechanism
- 3) To implement mold guides and paths to minimize jam occurrence
- 4) To maximize convenience in maintenance or clearing by opening guide structure
- 5) To realize compact and slim size so as to be applied to even small space
- 6) To speed at a rate of 4 notes/sec
- 7) After power failure, bills on the path are rejected to reject cassette when power turns on again (Auto Reject Function)



	<b>DOC NO</b>	<b>MODEL</b>	<b>NAME</b>	<b>REV.</b>	<b>PAGE</b>
	PL-ECDM-200-002	ECDM-200	Product Specification	1.1	5 of 9

## 2 Specifications

### 2.1 General Specifications

2.1.1	Denomination	2 Denomination
2.1.2	Cassette Capacity	214mm
2.1.3	Dispensing Speed	4 notes/sec
2.1.4	Usable Note Size	Width : 100 ~ 162mm Height: 62 ~ 78mm
2.1.5	Double Feeding Detection	Mechanical type
2.1.6	Reject Capacity	About 50 notes
2.1.7	Access Type	Front Access Type
2.1.8	Dimension (unit: mm)	270.5(W) x 356(H) x 420(D)
2.1.9	Interface	RS 232C
2.1.10	Near-end Detection (Selectable, Refer to Chapter 4.4 )	
	1) Near-end Disabled	All notes are dispensed until Bill-end.
	2) Near-end Enabled	50 or 150 notes* will be left and it stops.
	* The remaining amount will be decided to the position of Near-end sensor.	
2.1.11	Max. Dispensing per Transaction	100 Notes


### 2.2 Electrical Features

2.2.1	Rated Voltage	DC24V±10%
2.2.2	Rated Consuming Current	
	- Standby Status	160 mA
	- Average Current, continuous	3900mA
	- Average Current, peak	5500mA

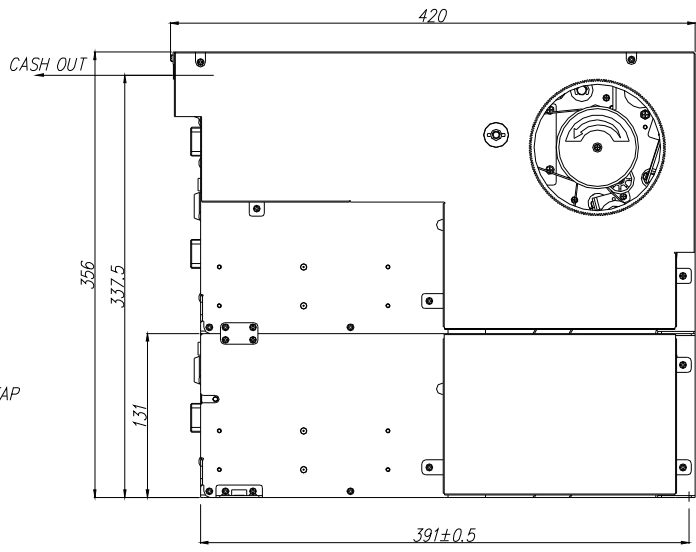
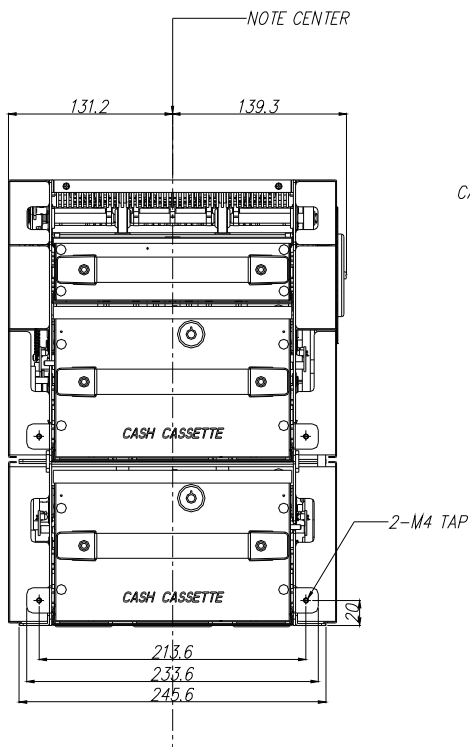
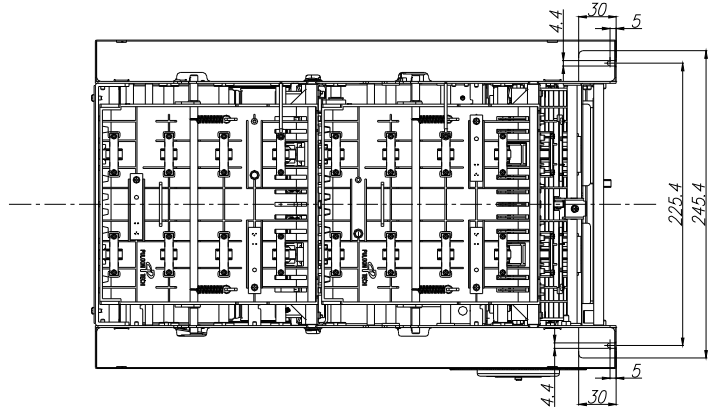
### 2.3 Operation Environment

2.3.1	Operation Temperature	+ 5℃ ~ +40℃
2.3.2	Storage Temperature	-10℃ ~ +60℃
2.3.3	Operation Humidity	20% ~ 80% RH
2.3.4	Storage Humidity	10% ~ 90% RH




	DOC NO	MODEL	NAME	REV.	PAGE
	PL-ECDM-200-002	ECDM-200	Product Specification	1.1	6 of 9

### 3 Layout





	DOC NO	MODEL	NAME	REV.	PAGE
	PL-ECDM-200-002	ECDM-200	Product Specification	1.1	7 of 9

## 4 Connector Specifications

### 4.1 Power Connector

The power connector is positioned at the bottom of the ECDM-200 main Controller.

Connector on Controller : MOLEX 5566VWO-02

Matching Connector : MOLEX 5557D-02


Pin No	Function
1	+24V
2	GND

### 4.2 Communication Connector

The communication connector is positioned at the bottom of the ECDM MAIN Controller PCB. It is 9-way and D-type connector.

Pin No	Name	Function
1		Not used
2	RXD	Received data
3	TXD	Transmitted data
4		Not used
5	GND	System ground
6		Not used
7		Not used
8		Not used
9		Not used




	DOC NO	MODEL	NAME	REV.	PAGE
	PL-ECDM-200-002	ECDM-200	Product Specification	1.1	8 of 9

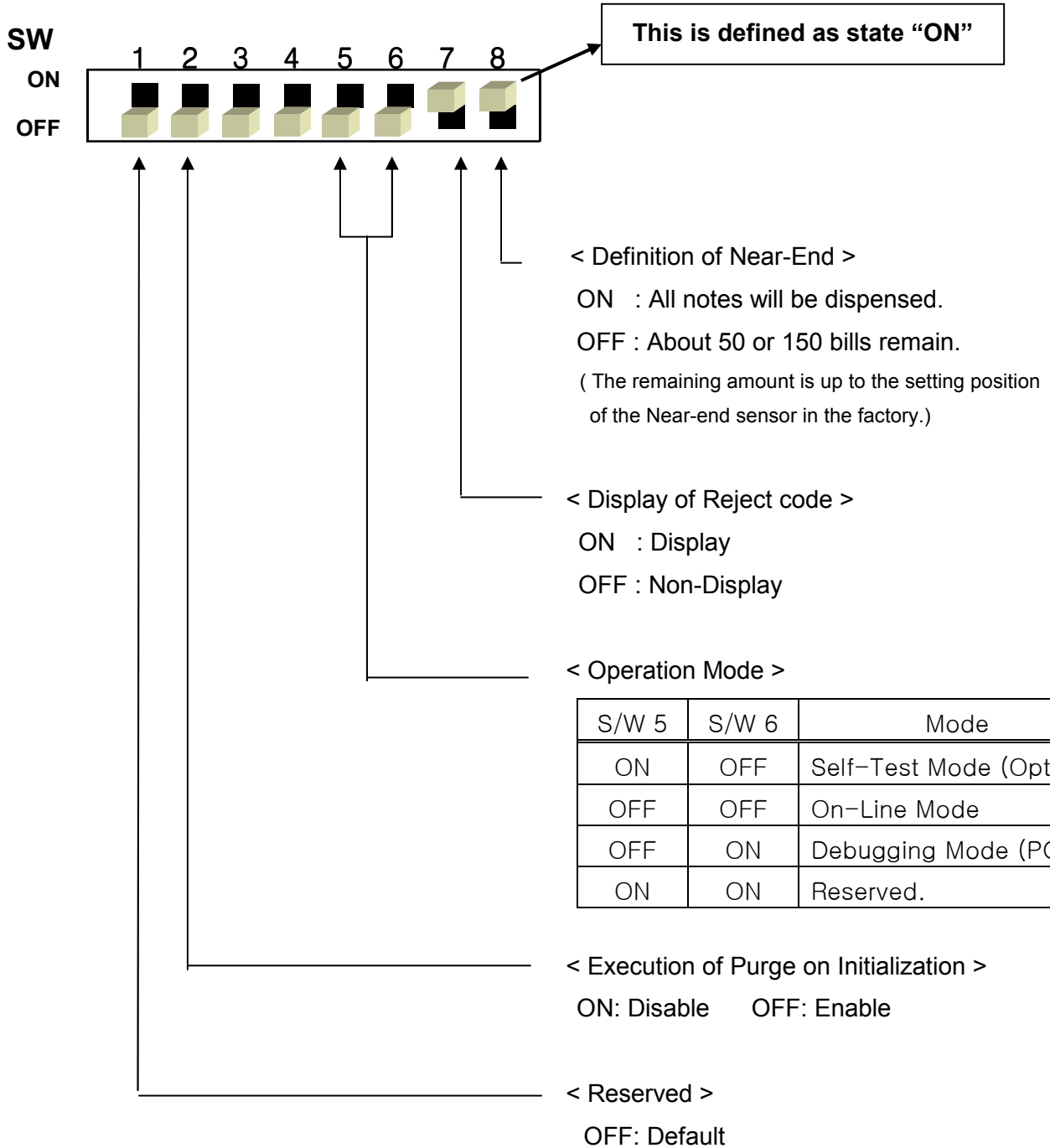
### 4.3 Serial Communication Specifications

Baud rate	9600 bps
Data bits	8 bits
Parity	No parity
Stop bits	1 stop bit



	DOC NO	MODEL	NAME	REV.	PAGE
	PL-ECDM-200-002	ECDM-200	Product Specification	1.1	9 of 9

#### 4.4 Dip Switch Assignment



**CAUTION!**

*Please turn on power again after changing the Dip Switch.*