



# SANDEN

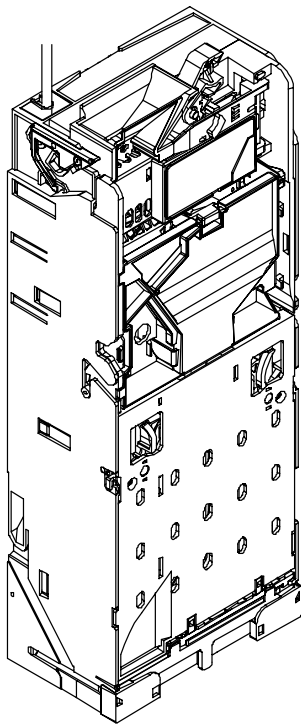
Delivering Excellence

## SERVICE PARTS LIST

### Coin Changer

Model : SC5E UNIA (ECC-EUM60T1)

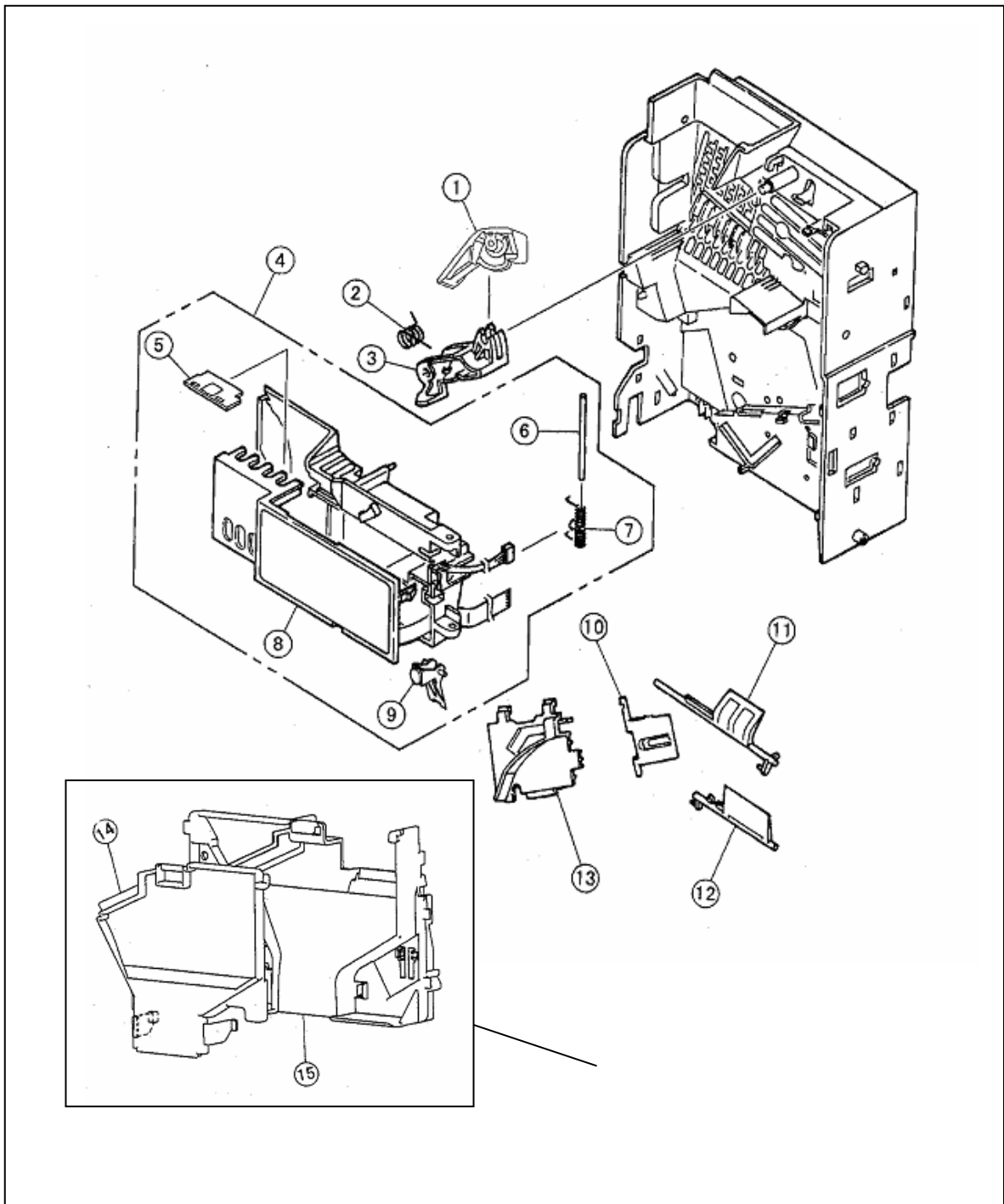
## Contents



- Acceptor (front) . . . P 1
- Acceptor (rear) . . . P 3
- Tube assembly . . . P 5
- Main Body . . . . . P 7
- Payout Compartment . . . . . P 9
- Gear unit Assy . . . P11

Parts list : SC5E UNIA (ECC - EUM60T1)

• Acceptor (front)



Parts list :SC5E UNIA(ECC - EUM60T1)

No.	PARTS No.	PARTS NAME	N/U	PARTS CODE	NOTE
<b>Acceptor (front)</b>					
1	75612-40020	Lever - A	1		POM(White)
2	75611-40330	Spring-return	1		
3	75611-40071	Return lever-A	1		POM(White)
4	75612-10401	Sub-plate assembly T1	1		
5	75611-40120	Gate rail	1		A component of No4
6	75611-40320	Shaft 3 x 5 2 . 5	1		A component of No4
7	75611-40340	Double torsion spring	1		A component of No4
8	75612-10410	Sub-plate cover assembly	1		A component of No4
9	75612-40030	Coin lift preventing lever G L	1		A component of No4
10	75661-40140	Sort door A	1		POM(Blue)
11	75611-40130	Accept/Reject door	1		POM(White)
12	75611-40161	Cashbox door	1		POM(Green)
13	75661-40040	Partition export G L	1		PC(Smoked gray)
14	75661-40240	AC top cover EU	1		P C (Transparency)
15	75661-40032	AC front cover EU	1		P C (Transparency)
16	75612-10393	Acceptor assembly ACP-EUM60T1	1		
17	75661-14051	AC front cover EU AU	1		P C (Transparency)

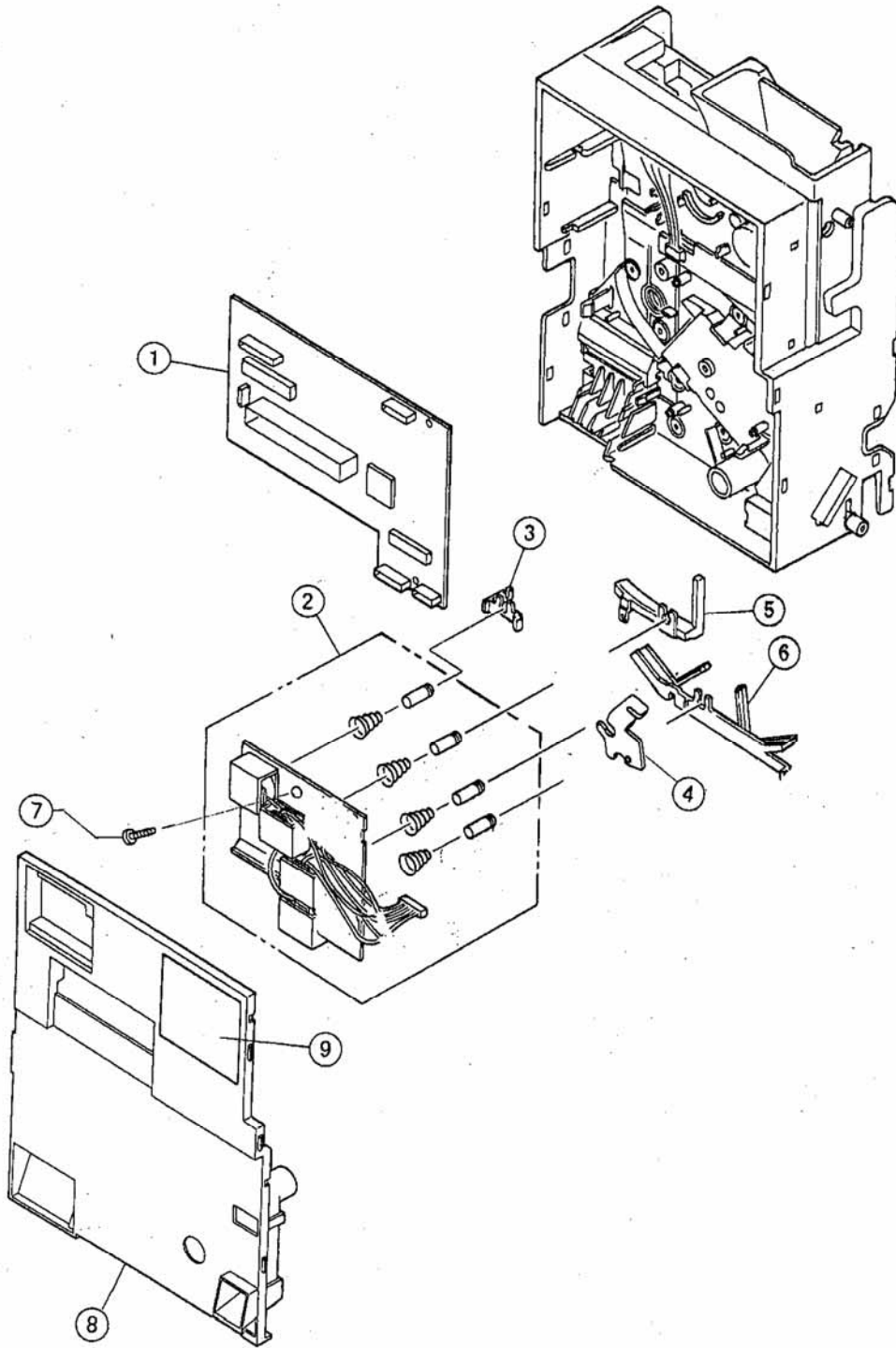
1 ; There is the following part as optional part of No.1.

PARTS No.        PARTS NAME  
75611-40080      Return lever roller



Parts list : SC5E UNIA(ECC-EUM60T1)

• Acceptor (rear)

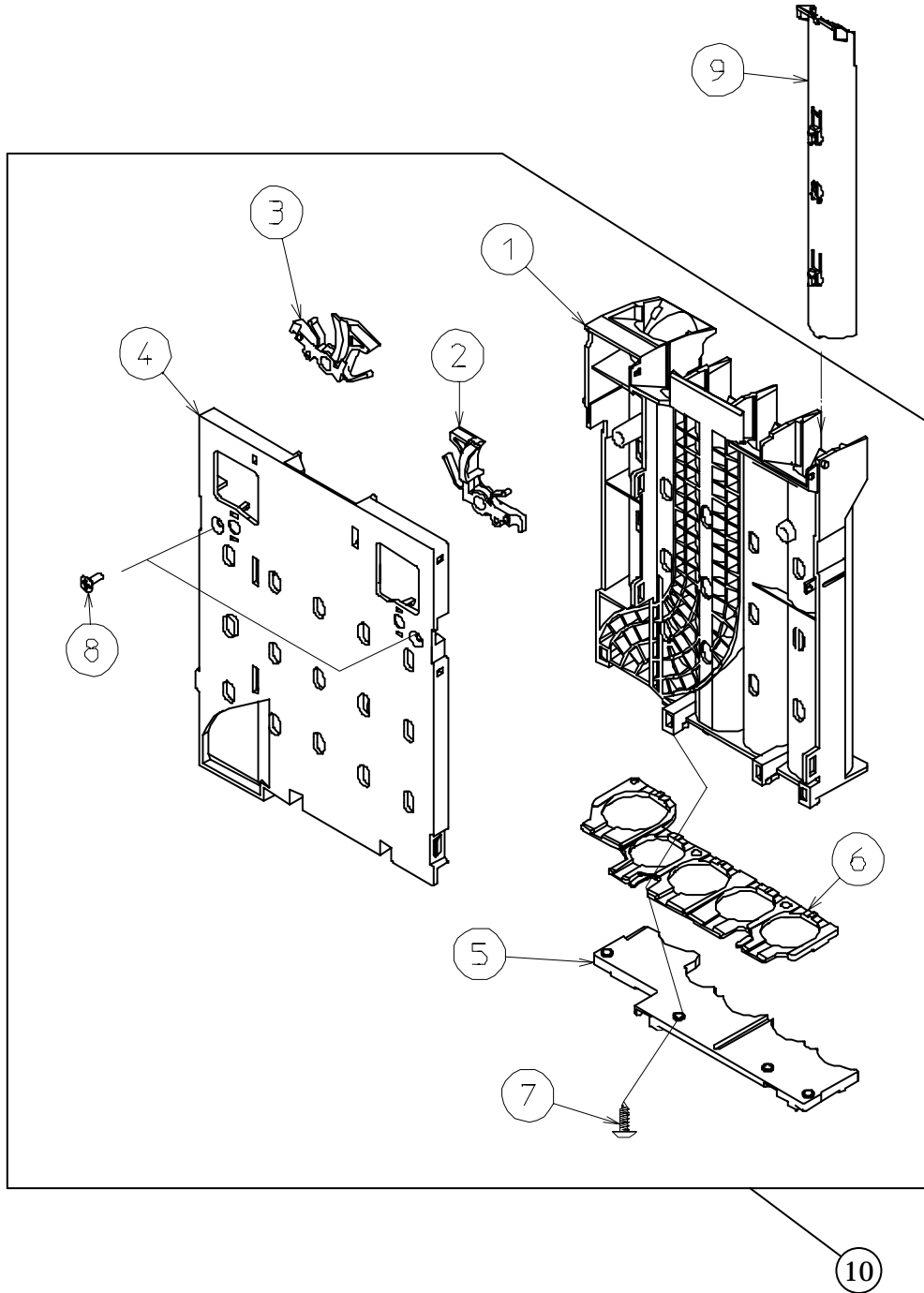


Parts list : SC5E UNIA (ECC - EUM60T1)

No.	PARTS No.	PARTS NAME	N/U	PARTS CODE	NOTE
<b>Acceptor (rear)</b>					
1	75612-17251	ACP PCB Assy with Program	1		
2	91503-47100	Solenoid Pack-4 10V	1		
3	75611-40192	Solenoid lever A	1		POM(White)
4	75661-40200	Solenoid lever B	1		POM(Blue)
5	75611-40151	Coin pass gate B	1		POM(Red)
6	75661-40170	Coin pass gate D-EU	1		PC(Black)
7	92401-97190	Screw +N3 × 6 ( P )	1		Screw for plastic
8	75611-14042	Acceptor rear cover assembly	1		
9	75612-44280	Label, Acceptor switch	1		

Parts list : SC5E UNIA(ECC-EUM60T1)

• Tube assembly(ECC-MTEUT1)

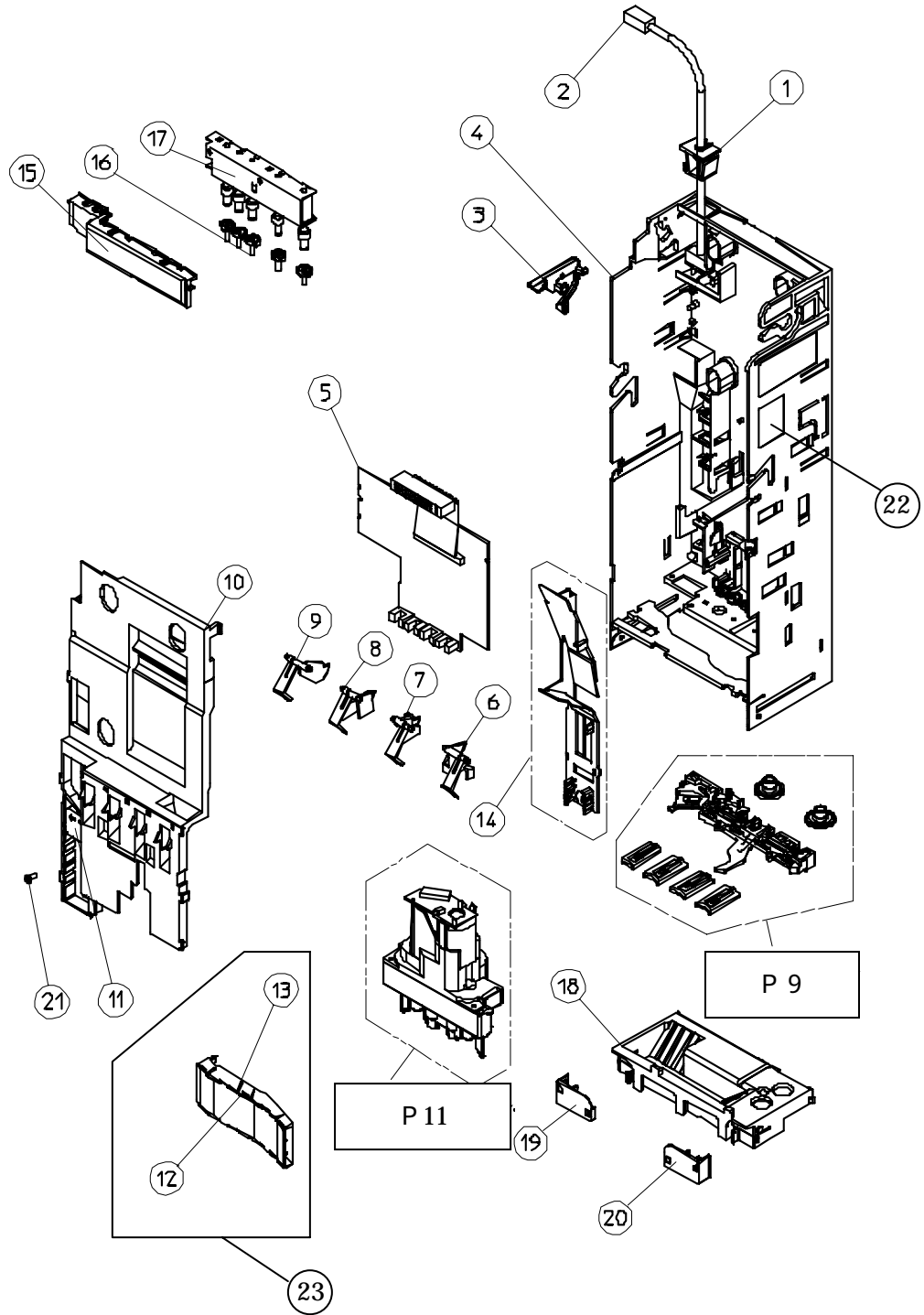


Parts list : SC5E UNIA (ECC - EUM60T1)

No.	PARTS No.	PARTS NAME	N/U	PARTS CODE	NOTE
<b>Tube (ECC - MTEUT1)</b>					
1	75617-40110	Tube EUT1	1		P C (Transparency)
2	75666-40051	Tube hook R-GL	1		POM(Blue)
3	75666-40060	Tube hook L-GL	1		POM(Blue)
4	75617-10170	Tube front cover Assy	1		
5	75617-40091	Tube base EUT1	1		PPE(Green)
6	75617-40100	Slide ring EUT1	1		POM(Blue)
7	92401-97160	Screw +N3 × 8 ( P )	4		Screw for plastic
8	92401-97200	Screw +S 3 × 6 ( P )	2		Screw for plastic
9	75617-40120	Spacer 20 cent	1		P C (Transparency)
10	75617-10161	Tube assembly ECC-MTEUT1	1		

Parts list : SC5E UNIA(ECC-EUM60T1)

• Main Body



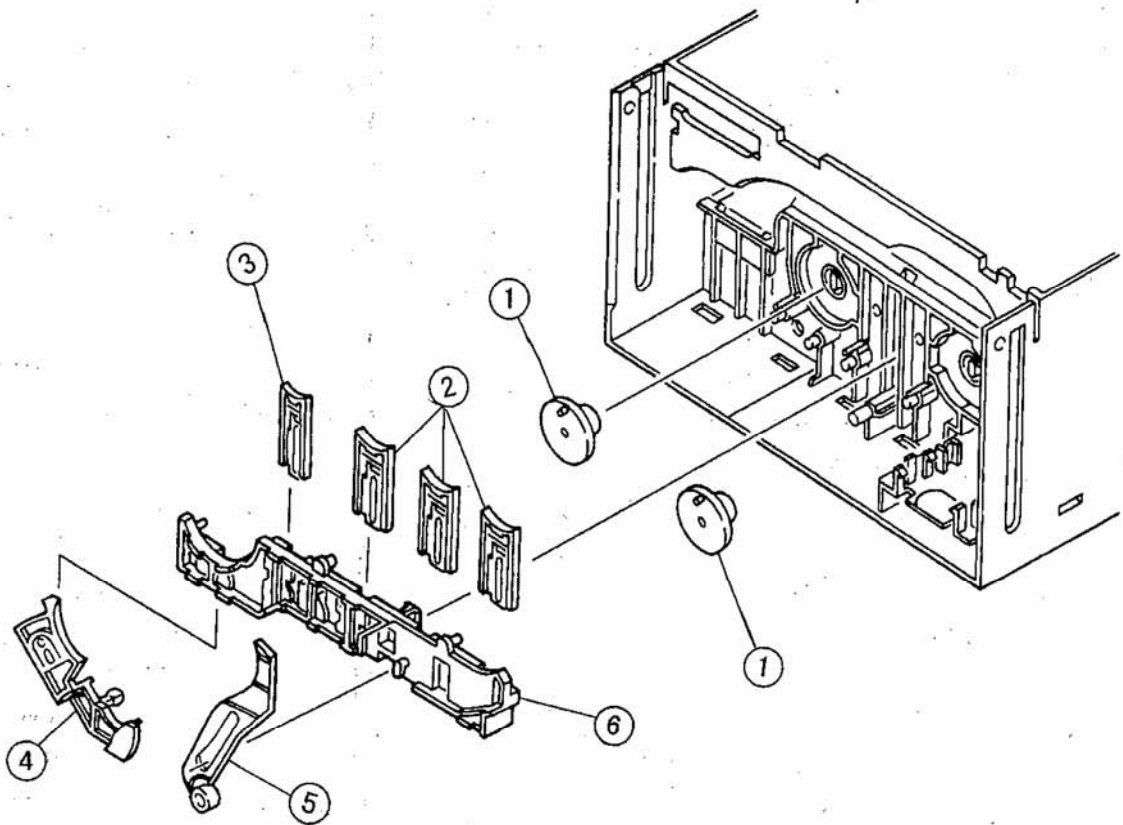


Parts list : SC5E UNIA (ECC - EUM60T1)

No.	PARTS No.	PARTS NAME	N/U	PARTS CODE	NOTE
<b>Main Body</b>					
1	75602-40020	Harness cramp B	1		POM(Pink)
2	75602-18070	MDB harness T	1		
3	75602-40010	Acceptor hook B	1		POM(Pink)
4	75602-40050	Housing GL	1		PC / ABS(Gray)
5	75602-17203	Sub board assembly	1		
6	75601-40080	Overflow lever E	1		PC (Black)
7	75601-40070	Overflow lever D	1		PC (Black)
8	75601-40060	Overflow lever C	1		PC (Black)
9	75601-40050	Overflow lever B	1		PC (Black)
10	75601-40042	Housing partition	1		PC / ABS(Reddish brown)
11	75602-15010	Overflow sensor A R assembly	1		
12	75601-40260	Coin gutter cover	1		PC (Transparency)
13	75601-40250	Coin gutter	1		PC (Transparency)
14	75651-14060	Coin passage EU assembly	1		
15	75602-15030	Empty sensor R coating assembly	1		
16	75601-40390	Select pin	5		POM(White)
17	91503-47090	Payout solenoid	1		
18	75602-40060	Bottom base GL	1		PPE(Gray)
19	75651-40440	Main body guard left	1		POM(Blue)
20	75651-40430	Main body guard right	1		POM(Blue)
21	92401-47070	Screw +S3X6(P)	1		Screw for plastic
22	75602-44090	Label,WEEE	1		
23	75602-10332	Coin gutter AU	1		PC (Transparency)

Parts list : SC5E UNIA(ECC-EUM60T1)

• Payout Compartment

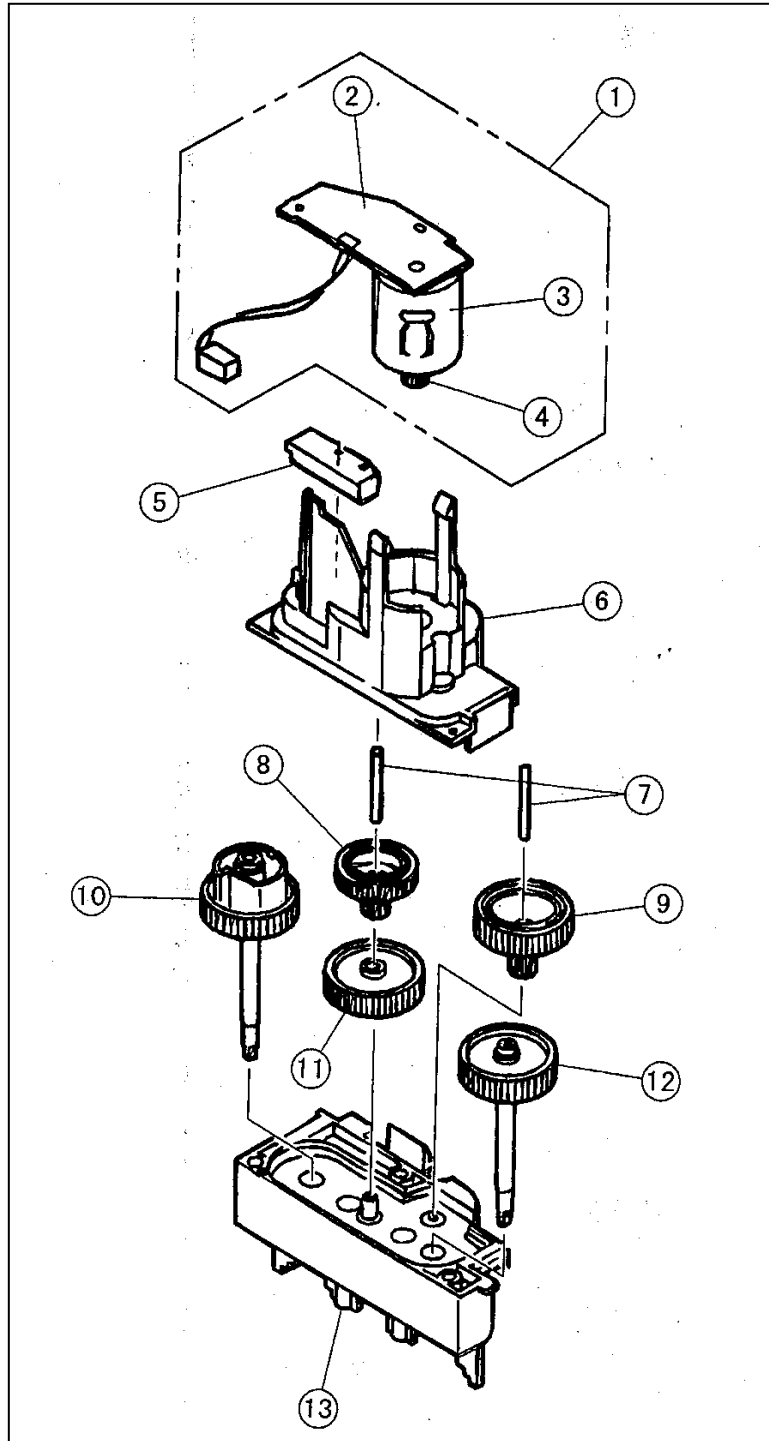


Parts list : SC5E UNIA(ECC-EUM60T1)

No.	PARTS No.	PARTS NAME	N/U	PARTS CODE	NOTE
<b>Payout Compartment</b>					
1	75601-40311	Payout cam	2		POM(White)
2	75601-40360	Payout slide large	3		POM(White)
3	75601-40370	Payout slide small	1		POM(White)
4	75651-40350	Payout slide EU	1		POM(Black)
5	75601-40340	Coin wiper	1		POM(White)
6	75602-40040	Slide bar MBT1400V	1		PBT(Black)

Parts list : SC5E UNIA(ECC-EUM60T1)

• Gear unit Assy



Parts list : SC5E UNIA(ECC-EUM60T1)

No.	PARTS No.	PARTS NAME	N/U	PARTS CODE	NOTE
<b>Gear unit assy</b>					
1	75602-10341	Motor unit assembly EUT	1		
2	75651-17440	Motor PCB Coating Assy	1		A component of No.1
3	93501-47310	Motor RS-360SH-14280DV	1		A component of No.1
4	75601-40110	Pinion	1		A component of No.1
5	91301-E7210	Micro Switch D3M-01	1		
6	75601-40132	Gear case Upper	1		PC(Reddish brown)
7	75601-40220	Shaft 2 . 5X2 8	2		
8	75601-40160	Gear B	1		POM(White)
9	75601-40170	Gear C	1		POM(White)
10	75601-40181	Power output Axle left	1		POM(White)
11	75601-40151	Gear A	1		POM(White)
12	75601-40191	Power output Axle right	1		POM(White)
13	75601-40141	Gear case Lower	1		PC(Reddish brown)
14	75602-17441	Gear unit assembly 10V	1		